



输出功率: 约1.0~20.0W

直流无刷电机

典型应用: 医疗器械
精密仪器
家用电器
商业设备

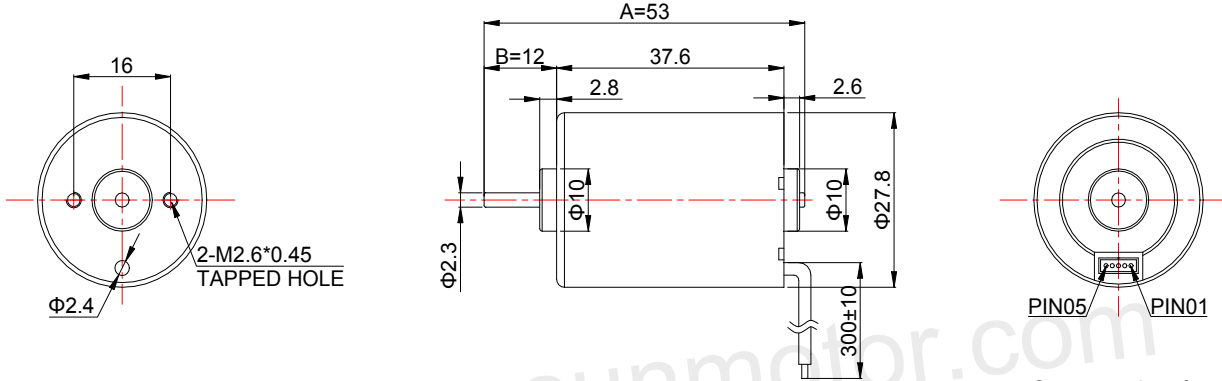
OUTPUT:APPROX 1.0~20.0W

Brushless DC Motor

Typical Applications: Medical Instruments
Precision Instrument
Household Appliances
Business Equipment

1.OUTLINE DRAWING:

UNIT:MM



Connect Interface

NO.	PIN ARRANGEMENT
1	VCC (Red Wire)
2	FG(Green Wire)
3	CW/CCW(Yellow Wire)
4	GND(Black Wire)
5	PWM(Blue Wire)

Customizable Parameters:

- Length A and B
- Electric Performance

WEIGHT: 78g(Approx)

View:



2.MOTOR PERFORMANCE :

MODEL	VOLTAGE		NO LOAD		AT MAXIMUM EFFICIENCY				STALL			
	OPERATING RANGE	NOMINAL V	SPEED rpm	CURRENT A	SPEED rpm	CURRENT A	TORQUE g.cm	TORQUE mN.m	OUTPUT W	TORQUE g.cm	TORQUE mN.m	CURRENT A
BL2838I-124800	8.0~15.0	12.0	4800	0.12	3850	0.55	100	9.81	3.95	515	50.54	2.30
BL2838I-128900	8.0~15.0	12.0	8900	0.21	7400	1.03	110	10.79	8.35	660	64.77	5.10
BL2838I-248000	8.0~26.0	24.0	8000	0.10	6560	0.46	103	10.11	6.93	580	56.92	2.10

