



输出功率：约0.2~3.0W

精密金属齿轮减速电机

典型应用： 电子门锁
智能家居
智能机器人
电动玩具

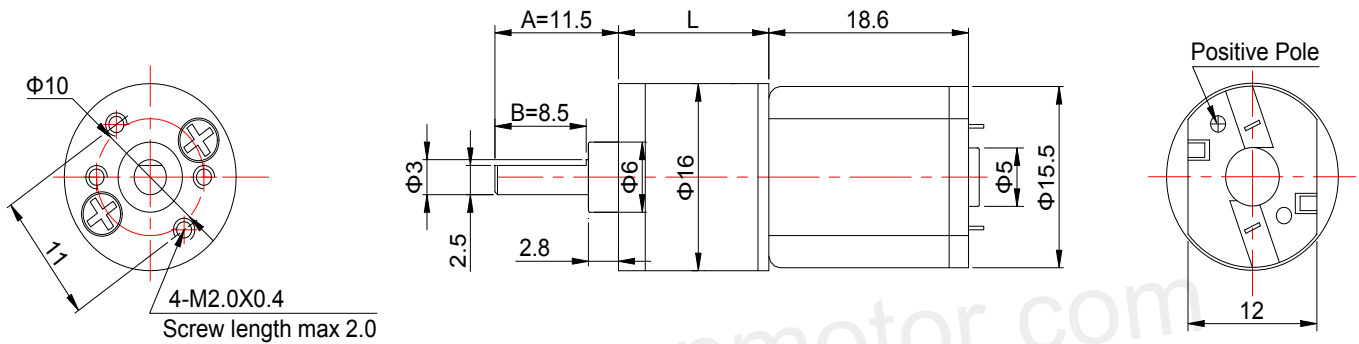
OUTPUT:APPROX 0.2~3.0W

Precision Metal Gear Motor

Typical Applications: Electronic Door Lock
Smart Home Appliance
Smart Robot
Electric Toys

1.OUTLINE DRAWING:

UNIT:MM



Customizable Parameters:

1. Length L、 A and B
2. Electric Performance
3. Output shaft specifications
4. Reduction Ratio

View:



WEIGHT: 26g(Approx)

2.GEARBOX REDUCTION RATIO:

Gearbox Length (mm)	Stage Number	Reduction Ratio						Rated Torque	Bearable Maximum Instant Torque
		kg.cm							
11	3	11.5/1	14/1					0.2	0.5
12.5	4	23/1	28/1	32/1	40/1			0.3	0.7
14	5	46/1	56/1	65/1	80/1	91/1	112/1	0.4	0.8
15.5	6	130/1	159/1	183/1	224/1	257/1	315/1	0.5	1.0
17	7	365/1	448/1	515/1	630/1	725/1	889/1	0.6	1.2

3.MOTOR PERFORMANCE :

1N.m≈10.2kg.cm≈14.2oz.in

MODEL	REDUCTION RATIO	VOLTAGE		NO LOAD		AT MAXIMUM EFFICIENCY				STALL	
		OPERATING RANGE	NOMINAL	SPEED	CURRENT	SPEED	CURRENT	TORQUE	OUTPUT	TORQUE	CURRENT
			V	rpm	A	rpm	A	kg.cm	W	kg.cm	A
16GA030-14-061200	14/1	3.0~6.0	6.0	1200	0.08	945	0.06	0.06	0.58	0.29	1.12
16GA030-112-03120	112/1	2.0~4.0	3.0	120	0.1	96	0.42	0.36	0.35	1.8	1.65
16GA030-515-1225	515/1	5.0~12.0	12.0	25	0.05	19	0.16	1.6	0.31	6.45	0.48